

REVISIONS F (30/11/02)

DRAWN TZ

CHECKED

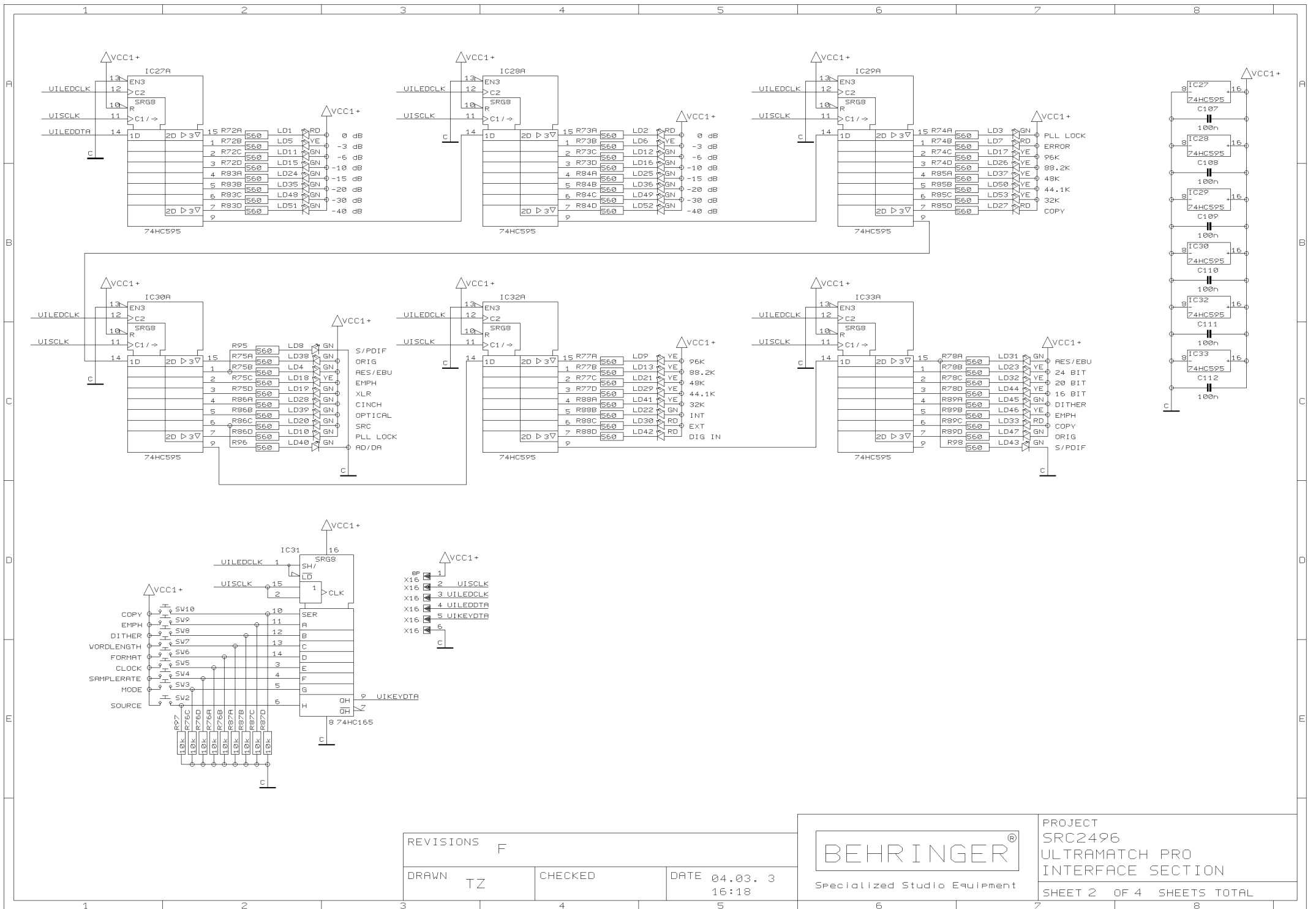
DATE 04.03. 3
16:18

BEHRINGER®

Specialized Studio Equipment

PROJECT
SRC2496
ULTRAMATCH PRO
DIGITAL I/O & PSU

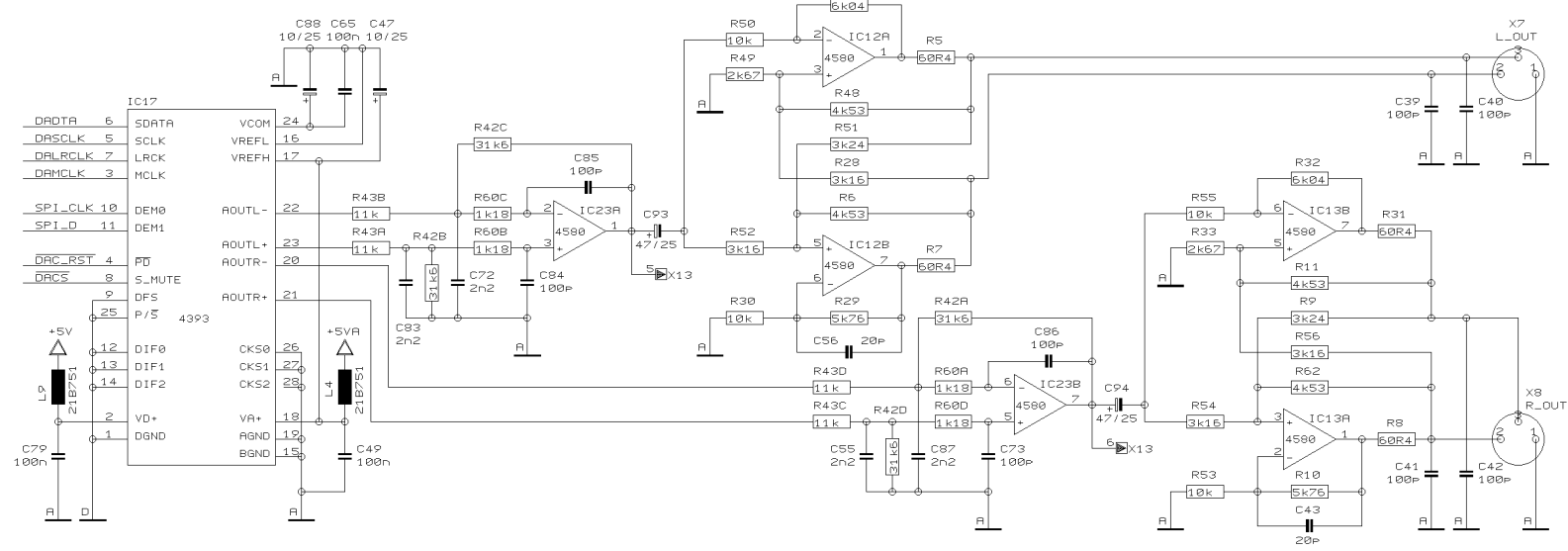
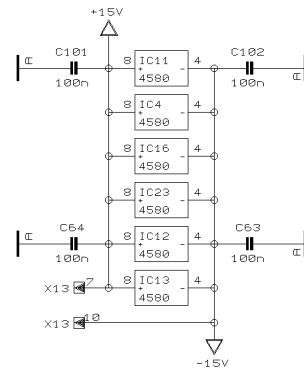
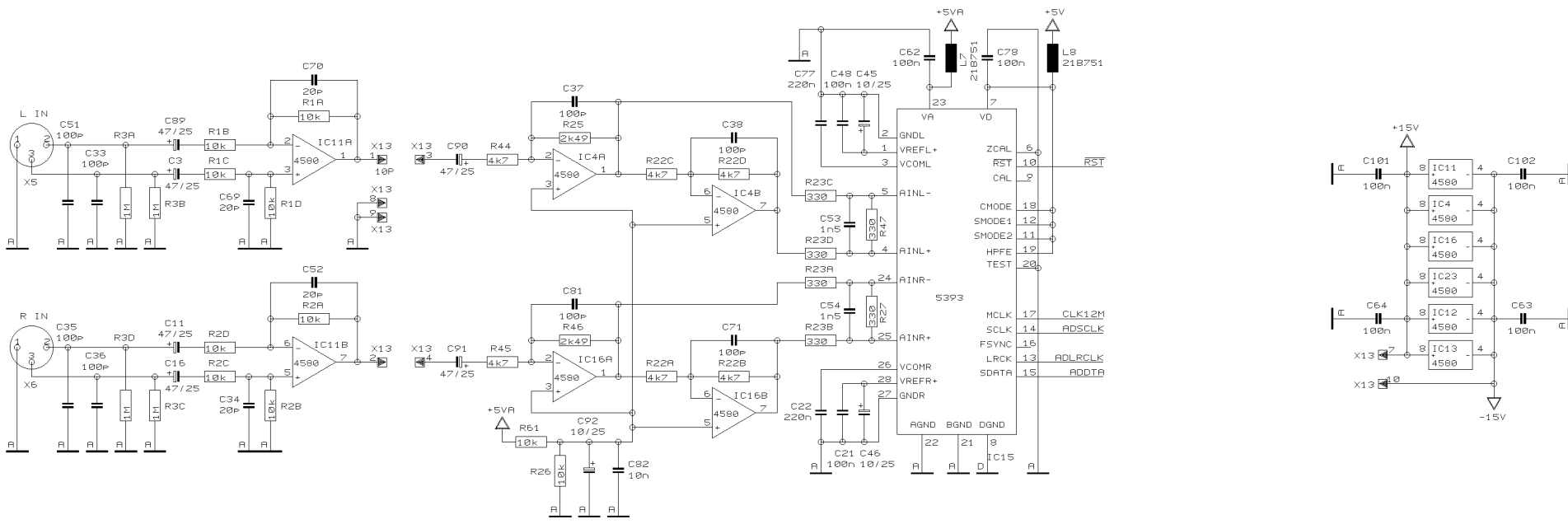
SHEET 1 OF 4 SHEETS TOTAL



REVISIONS	F	
DRAWN	TZ	CHECKED
DATE	04.03. 3	16:18



PROJECT SRC2496
ULTRAMATCH PRO
INTERFACE SECTION
SHEET 2 OF 4 SHEETS TOTAL



REVISIONS	F
DRAWN	TZ
CHECKED	
DATE	04.03.3 16:18



PROJECT SRC2496
ULTRAMATCH PRO
ANALOG I/O SECTION
SHEET 3 OF 4 SHEETS TOTAL

1 2 3 4 5 6 7 8

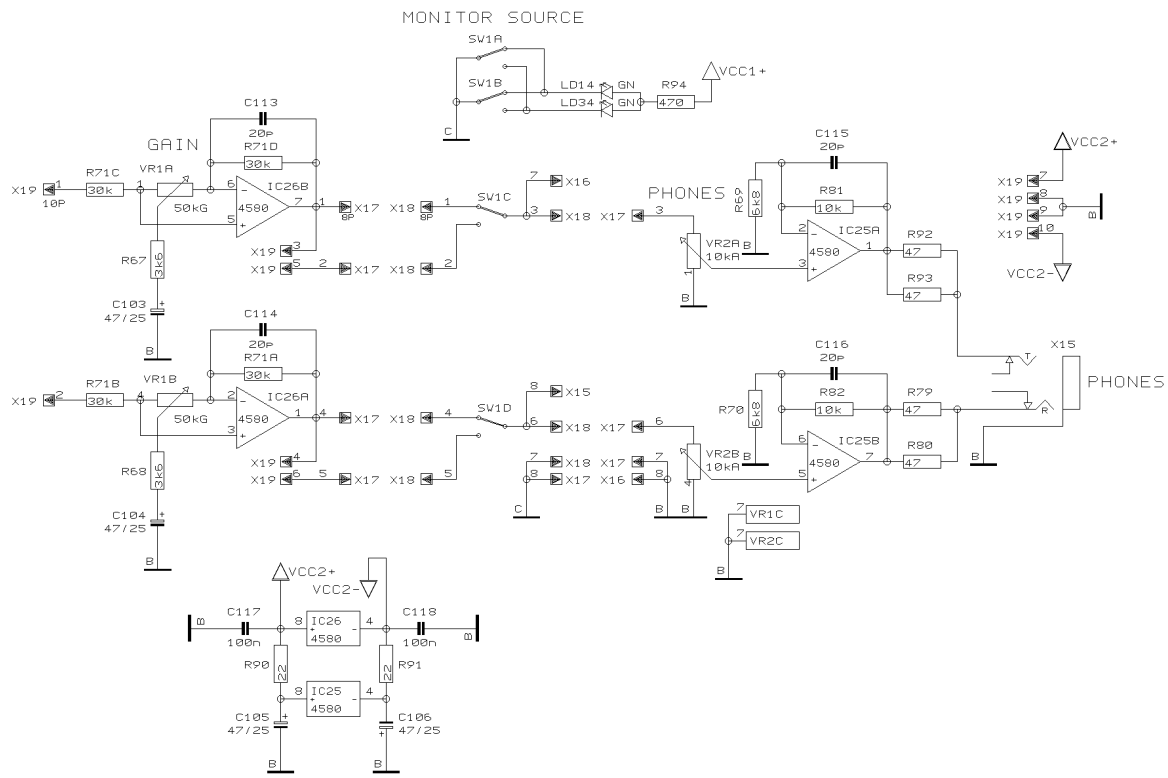
A

B

C

D

E



REVISIONS F

DRAWN TZ

CHECKED

DATE 04.03. 3
16:18

BEHRINGER®

Specialized Studio Equipment

PROJECT SRC2496
ULTRAMATCH PRO
HEADPHONE SECTION

SHEET 4 OF 4 SHEETS TOTAL

1 2 3 4 5 6 7 8